

NOTES:

ALL DIMENSIONS ARE IN METER.

PROP. OF:



UNHCR/COR FIELD OFFICE
KHARTOUM - OMDORMAN - BAHRI
KHARTOUM STATE

SITE PLAN

SCALE 1:250

SHEET:

DESIGN (01)

REV.:

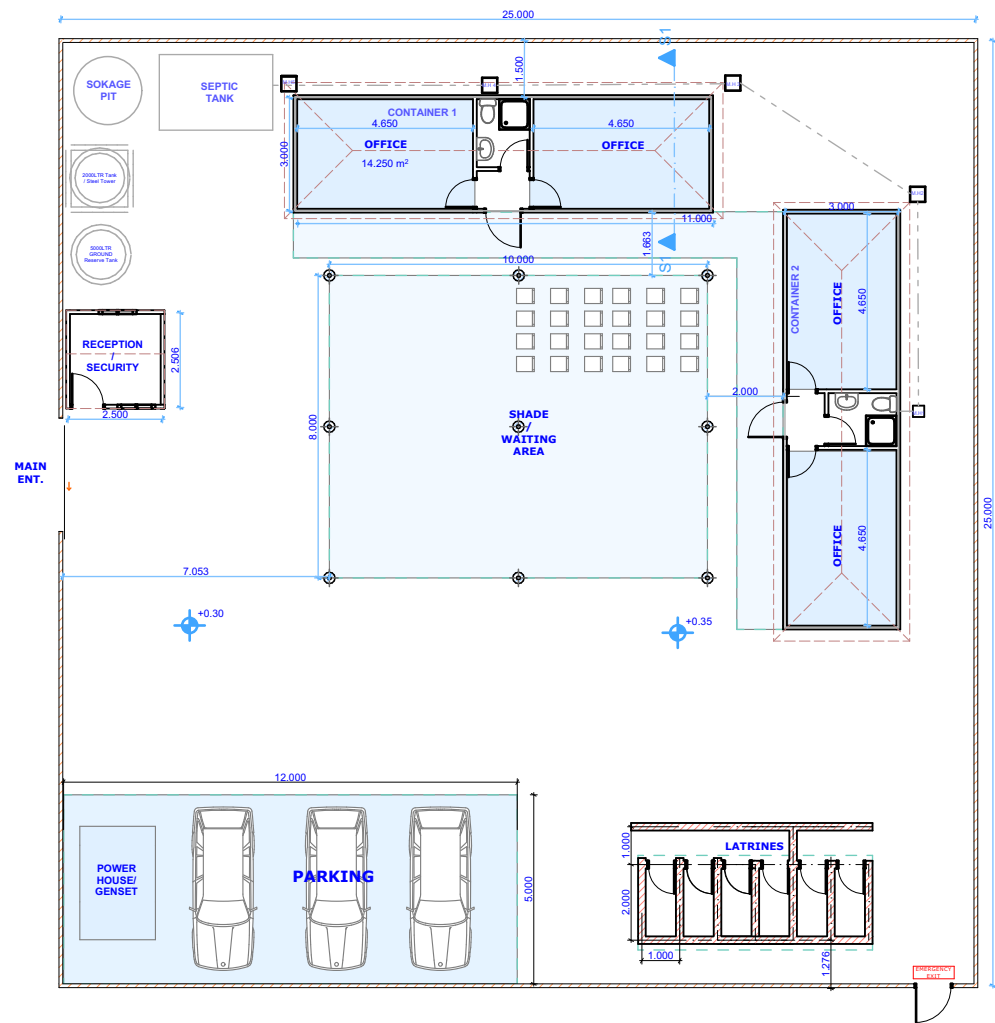
MAY 2021

REV.00

DESIGN & DRAWINGS:



FEEDBACK: BAKERM@UNHCR.ORG



NOTES:

ALL DIMENSIONS ARE IN METER.

PROP. OF:



UNHCR/COR FIELD OFFICE
 KHARTOUM - OMDORMAN - BAHRI
 KHARTOUM STATE

FLOOR PLAN

SCALE 1:200

SHEET:

DESIGN (01)

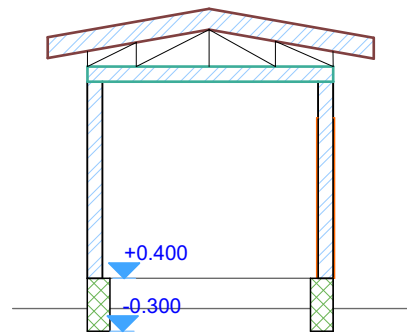
REV.:

MAY 2021 REV.00

DESIGN & DRAWINGS:



FEEDBACK: BAKERM@UNHCR.ORG



NOTES:

ALL DIMENSIONS ARE IN METER.

PROP. OF:



UNHCR/COR FIELD OFFICE
KHARTOUM - OMDORMAN - BAHRI
KHARTOUM STATE

SECTION A-A

SCALE 1:100

SHEET:

DESIGN (03)

REV.:

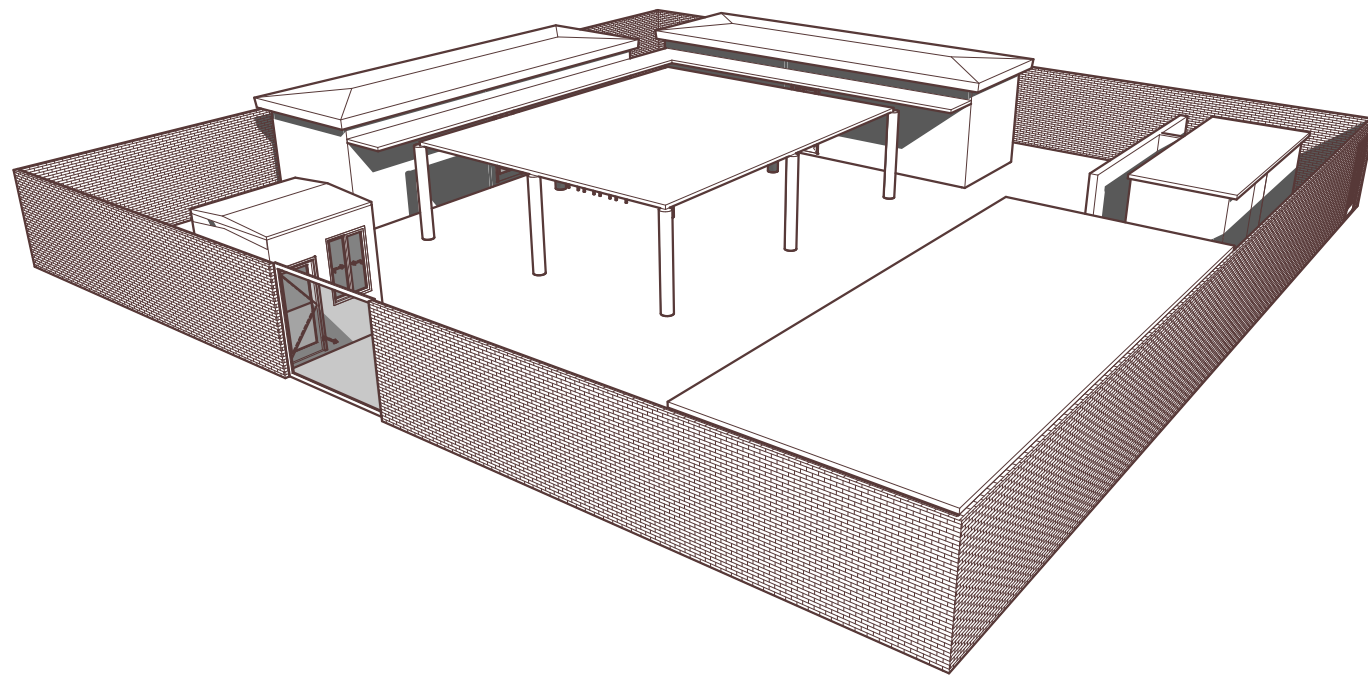
MAY 2021

REV.00

DESIGN & DRAWINGS:



FEEDBACK: BAKERM@UNHCR.ORG



NOTES:

ALL DIMENSIONS ARE IN METER.

PROP. OF:



UNHCR/COR FIELD OFFICE

**KHARTOUM - OMDORMAN - BAHRI
KHARTOUM STATE**

VIEWS

SHEET:

DESIGN (04)

REV.:

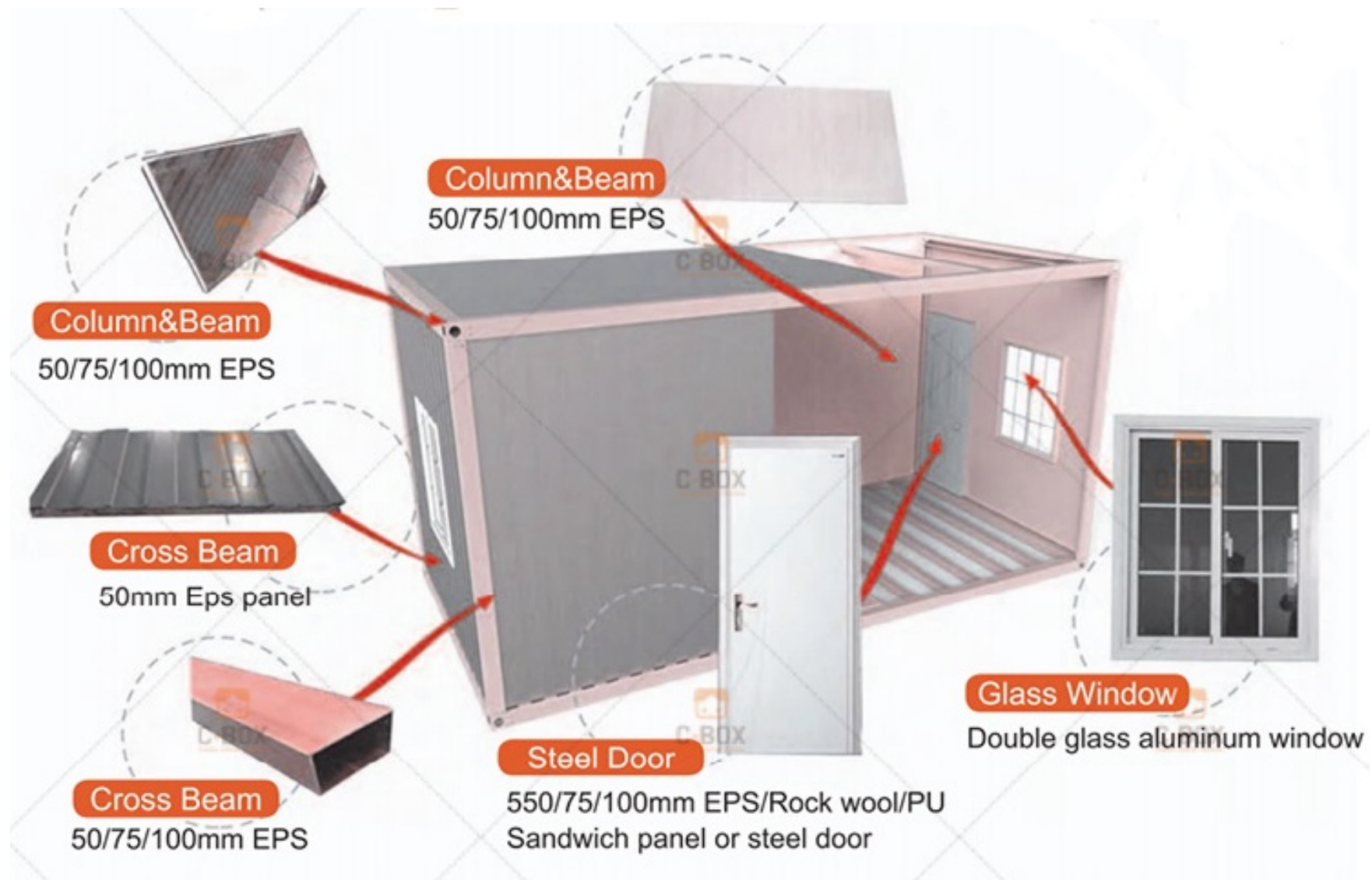
MAY 2021 REV.00

DESIGN & DRAWINGS:



FEEDBACK: BAKERM@UNHCR.ORG

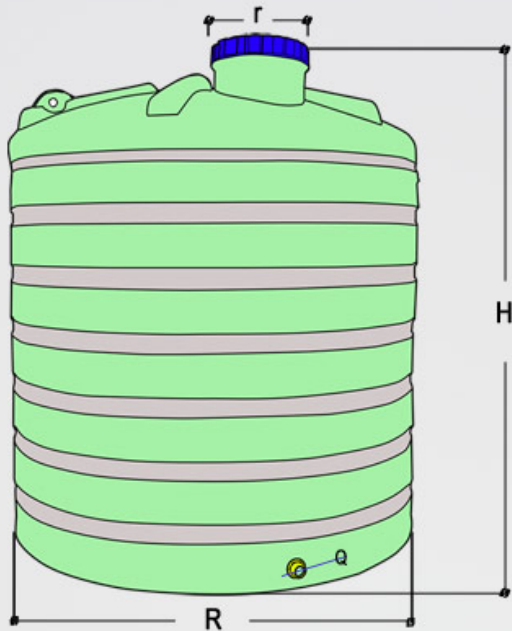




Material

1. Steel frame

2. Fire proof & water proof wall panel
board



Volume	5000 Liter
Width (R)	200 cm
Height (H)	195 cm
Cover Dia.(r)	40 cm
Outlet (Q)	1 1/4" (32mm)
Weight	100 kg
Colour	White / Blue

Standart Equipments



Cover



Outlet